

(EN)

PATIO HEATER

Model : HAL TH01

Instruction manual



230V~ 50Hz 2000W



WinEurope - FRANCE

Web: www.purline.com

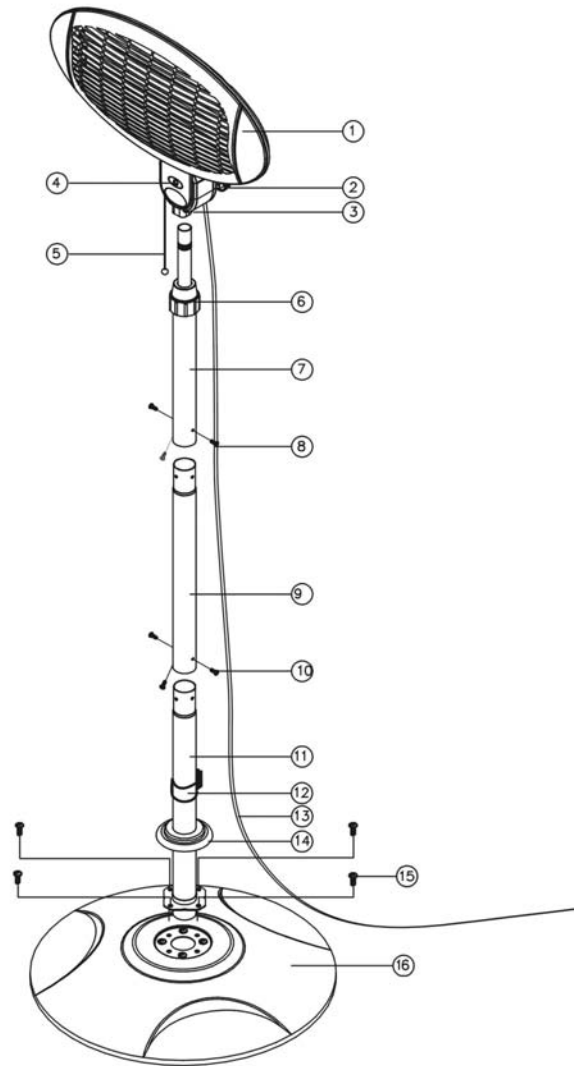


RoHS



PLEASE READ THE INSTRUCTION MANUAL BEFORE USING AND RETAIN THE INSTRUCTION FOR REFERENCE

Thank you for purchasing this infrared heater. We hope you will be completely satisfied with this product. To ensure this, please read these instructions carefully before use and keep them in a safe place.



Part Description

- 1 Heating Element Assembly
- 2 Knob
- 3 Body
- 4 Position Indication Plate
- 5 Pull Switch
- 6 Tube Cover
- 7 Upper Post Assembly
- 8 3 -M5 X 6 Screw
- 9 Middle Post
- 10 3-M5 X 6 Screw
- 11 Lower Post Assembly
- 12 Clamp
- 13 Power Cord
- 14 Base Cover
- 15 4-M6 X 30 Screw
- 16 Base Assembly

1-WARNINGS

- This electrical appliance complies with technical safety and electromagnetic compatibility standards.
- Never touch your heater when in operation (risk of burns).
- Never touch it with wet hand.
- Never rotate the heating part of the appliance during operation. To change the tilt angle of the heating part, we advise you to wait for 15 minutes after the appliance has been switched off.
- Never place anything on your heater's safety guard as this may cause overheating (e.g. towels).

- Never use your appliance to dry washing.
- Although the heating element has stopped glowing, it may still be live and potentially dangerous. Check that the selection indicator (5) is in position off before taking any action.
- Switch off your appliance:
 - After use
 - In the event of malfunction
 - Before cleaning it.
- Never operate your appliance if it has fallen over.
- Never dismantle your appliance. An incorrectly repaired appliance may be dangerous to the user. If you encounter any problems, please take it to one of the Approved Service Centers in our customer service network
The warranty will be void in the event of damage arising from improper use.
- **Do not use this heater in the immediate surrounding of a bath, a shower or a swimming pool.**

- This movable appliance is designed for use in gardens, and can be used indoor and outdoor. The warranty will not apply to appliances used for professional usage.
Although the heater may be used outdoors, the main plug must only be connected to the supply indoors.

- **The heater is provided with an anti-tilt switch will switch off the heater if it is overturned, and will switch it on again automatically when it is restored to its upright position.**

- This appliance is not intended for use by persons (including children) with reduced physical, sensory or mental capabilities, or lack of experience and knowledge, unless they have been given supervisions or instruction concerning use of the appliance by a person responsible for the safety.
Children should be supervised to ensure that they do not play with the appliance.

2-VOLTAGE

Before using the appliance at the first time, ensure that your mains voltage corresponds to voltage indicated on the appliance. **It is a class I appliance and must be earthed.**

3-SAFETY

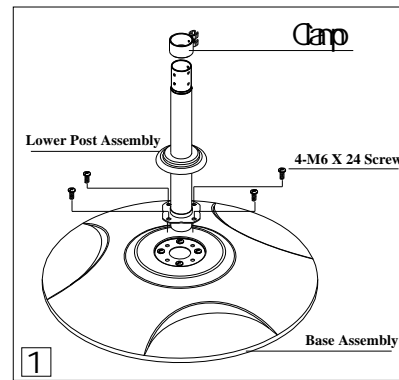
CAUTION: Before fitting or removing the appliance, ensure that the heater's power line supplying the heater is disconnected. Check that the power line is connected to a 30mA differential circuit breaker.

- This appliance is designed for use in gardens ,and any room in your house, including those where there is a risk of splashing. The installation and use of your appliance must comply with the applicable standards in your country.
- When it is switch on, an electrical heating appliance reaches very high temperature libel to cause burns. Make sure that all other users are aware of the risks.
- If you have any doubts concerning installation possibilities for this heater, please consult a qualified electrician.
- Children, the elderly and the infirm may not always be aware of the danger involved in using electrical appliances. Never allow this appliance to be used without supervision.
- The appliance must be positioned so that the plug is accessible.
- If the supply cord is damaged, it must be replaced by the manufacturer or its service agent or similar qualified person in order to avoid a hazard
- The heater must not be located immediately below a socket-outlet
- Do not use this heater with a programmer, timer or any other device that switches the heater on automatically, since a fire risk exists if the heater is covered or positioned incorrectly.
- Do not place the appliance close to curtains and other combustible materials.

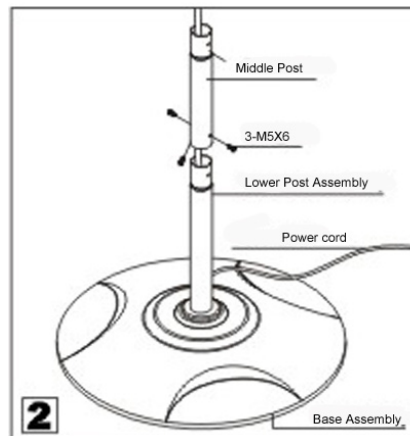
4-HOW TO ASSEMBLE

- **Before installing your appliance, you must disconnect the electrical supply at the circuit breaker.**

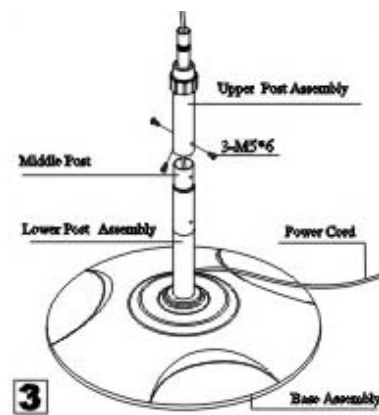
- 1> Insert the lower post assembly (11) into the base assembly (16) and then fix it tightly by means of 4-M6X30 screw, and insert the clamp (12) into the lower post (11). (fig.1)



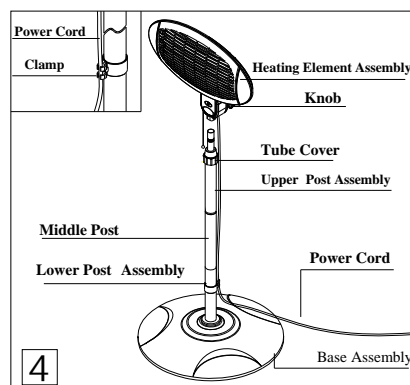
- 2> Join the Lower Post Assembly (11) and the Middle Post (9) together with 3-M5X6 screw (fig.2)



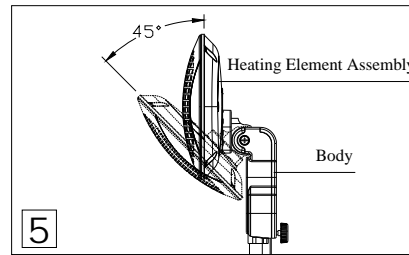
- 3>Join the Upper Post Assembly (7) and the Middle Post (9) together with 3-M5X6.screw (fig.3)



- 4>Join the Heating Element Assembly (1) and the Upper Post Assembly (7) together ,then fix them tightly by rotating the Knob, and put the power cord supply into the clamp.(fig.4)



5>According to the request of use angle, Heating Element Assembly can adjust Angle at 0°~45°. (Fig.5)



5-OPERATION

The appliance is switched on by means of the pull switch (5). The slight vibration noticeable when the appliance is switched on will stop after a few seconds.

6-OUTPUT

- Model: HAL TH01
 - Position 0: Stop
 - Position 1: 650W (normal power)
 - Position 2: 1300W (intermediate power)
 - Position 3: 2000W (full power)

7-MAINTENANCE

Your appliance does not require any particular maintenance. However, in the event of a malfunction, **please consult an Approved Service Center.**

WARRANTY:

The warranty is valid for 1 year for a "manufacturing fault".

To benefit from the warranty, please return the device to your dealer with POSTAGE PAID along with the document of purchase proof specifying the date of purchase.

Discarding worn household devices

The European directive 2002/96/EC pertaining to electrical and electronic waste prohibits such household goods from being discarded with local refuse services. Worn devices must be collected separately to optimize the recovery and recycling rates of the components therein to reduce detrimental effects on the environment and on human health. The "crossed out rubbish bin" symbol is affixed to all products as a reminder to respect the waste regulations.