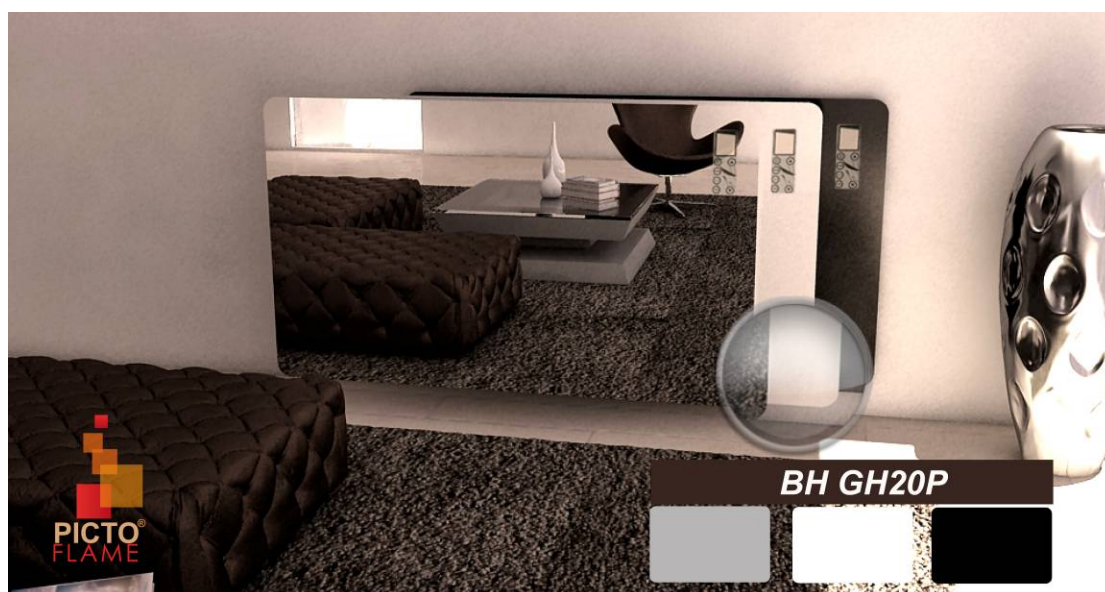


(EN)

# PICTOFLAME GLASS HEATER

## BH-GH20P

### Instruction manual



WinEurope - FRANCE  
Web: [www.purline.com](http://www.purline.com)



RoHS



Thank you to have chosen the PurLine quality. This product has been created by our professional team and according to the European regulation. For a better use of your new device, we recommend you to read carefully this user manual and keep it for record.

**Important:** read this instruction fully before using the heater; retain these instructions for future reference.

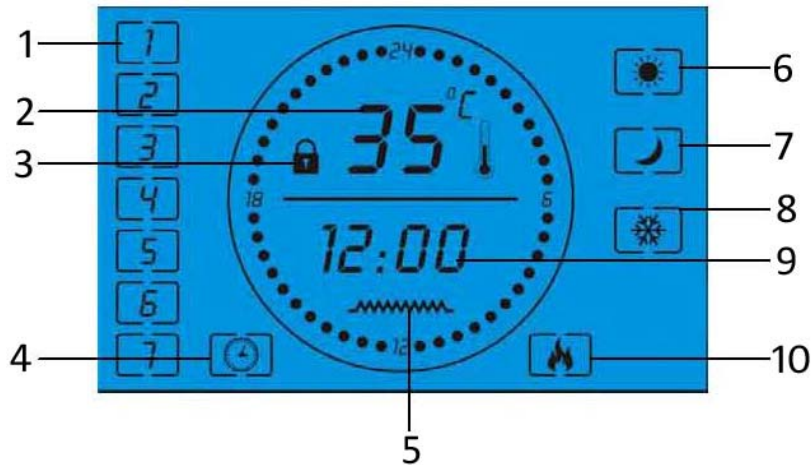
### **SAFETY INSTRUCTIONS (READ BEFORE OPERATING THE HEATER)**

- Do not use the heater unless the feet are correctly attached.
- Ensure that the power supply is plugged in accordance with the rating label on the heater; the socket must be earthed.
- Keep the mains cord away from the hot body of the heater.
- The heater is not intended for use in bathrooms, laundry areas or similar indoor locations. Never place the heater where it may fall into a bathtub or any other water container.
- Do not use outdoors.
- Do not cover or obstruct any of the heat outlet grilles or the air intake openings of the heater.
- Do not place the heater on carpets with a very deep pile.
- Always ensure that the heater is placed on a firm level surface. Ensure that the heater is not positioned close to curtains or furniture as this could create a fire hazard.
- Do not position the heater in front of or immediately below a wall socket.
- Do not insert any object through the heat outlet or air intake grilles of the heater.
- Do not use the heater in areas where flammable liquids are stored or where flammable fumes may be present.
- Particular care should be taken when the heater is situated in areas occupied by children or disabled persons.
- Always unplug the heater when moving it from one location to another.
- Do not use the heater if the power cord is damaged.
- If the supply cord is damaged, it must be replaced by the manufacturer, its service agent or similarly qualified person in order to avoid a hazard.
- This appliance can be used by children aged from 8 years and above and persons with reduced physical, sensory or mental capabilities or lack of experience and knowledge if they have been given supervision or instruction concerning use of the appliance in a safe way and understand the hazards involved.
- Children shall not play with the appliance.
- Cleaning and user maintenance shall not be made by children without supervision.
- Keep the appliance and its cord out of reach of children less than 8 years.
- Do not use this heater in the immediate surroundings of a bath, a shower or a swimming pool.
- This appliance is intended to be used in household and similar applications such as: staff kitchen areas in shops, offices and other working environments; farm houses; by clients in hotels, motels and other residential type environments; bed and breakfast type environments.



Means “ DO NOT COVER “.

### **ICON DESCRIPTION**



1. Week days
2. Temperature
3. Child lock
4. Weekly mode
5. Heating
6. Comfortable mode
7. Economical mode
8. Frost free mode
9. Time
10. Free mode

#### INSTALLATION

- Check whether the parts are complete and the product is intact when open the package.
- If you want to use the electric heater in a mobile way, please install the rollers provided in the package. Make sure the heater is correctly fixed with the screws provided. Please make sure the base is stable and clean.



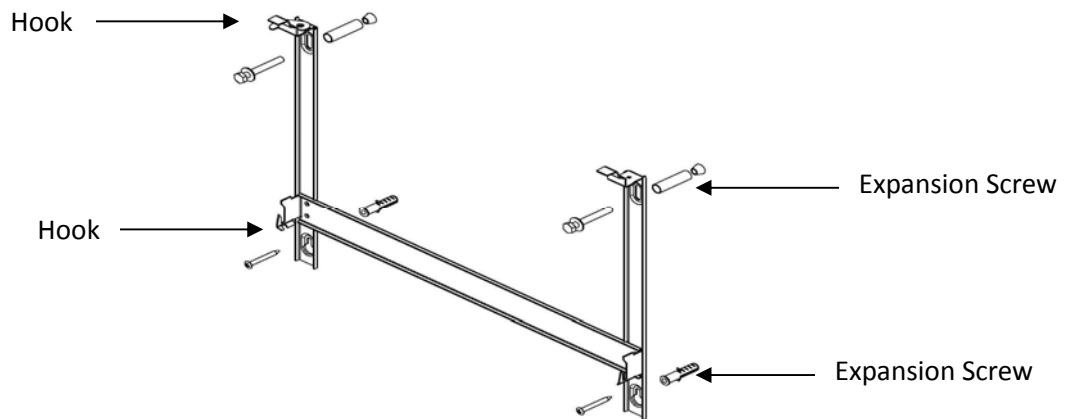
#### Steps for castor installation:

1. Put the product upside down on a soft cotton cloth or carpet.
2. Mount the stand in the corresponding location of the lower part of the product as shown

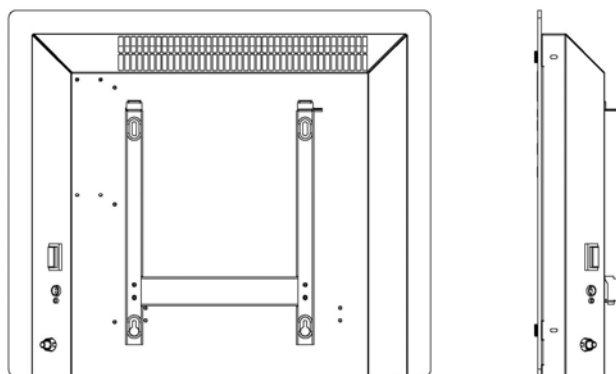
above, and then fix the supplied screw at the bottom of the product with a screwdriver and tighten the screw.

### Wall-mount instructions

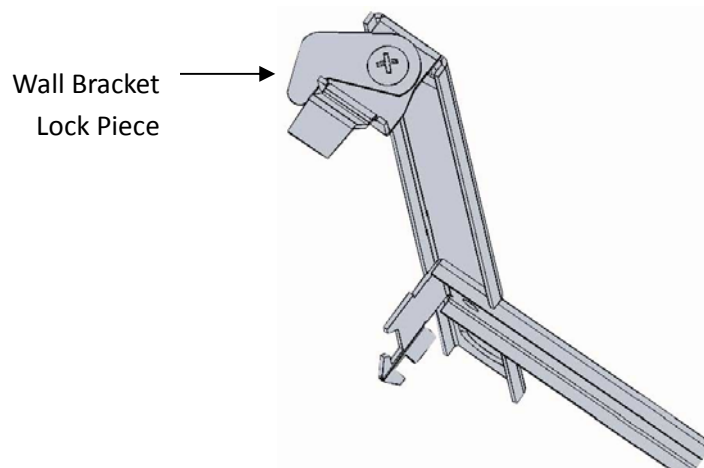
1. Take out the wall brackets and expansion screws out from the box, and fix the screws onto the wall according to the distances between holes of the wall brackets.



2. Aim the 4 holes in the back of the machine to the 4 hooks on the wall bracket and push it on, and then slide into the slot to click on, as shown below.



3. Fix the wall bracket lock piece onto the bracket with screws, slide the lock piece into the locking slot on the back of the machine, and then tighten up the screw, as shown in the picture below.



Note: Prior to the drilling, make sure there is no cable or other pipelines on the wall to avoid damage. Remember that the screws on the wall shall be fixed and firm to ensure the safety installation of the electric heater on the wall.

- During installation, the heater must be maintained sufficiently safe distance from combustible materials and gas and away from water.
- During wall-hanging installation, keep the installation height from the ground greater than 15 cm. Hanging-type heater shall be no less than 50 cm away from the ceiling.

### **CHILD-LOCK FUNCTION**

The interface will automatically lock up after 10 seconds if no other selections. To unlock the controller, press the OK button and the Down button.

### **OPERATION**

Turn on the power, press ON/OFF button to get into standby, with the screen only showing the temperature (i.e. current ambient temperature), time (12:00), and function icons of “Comfortable, Economical, Frost-free”.

### **FROST-FREE FUNCTION**

The frost-free function only works in standby with the border of the icon selected in the right corner (the frost-free temperature is set at 5°C). The frost-free function will stop automatically once the machine turns to heat.

### **MODE SELECTION**

#### **1. Free mode set-up**

Press the PROG button, and press the Up and Down buttons to select Free Mode, when the icon FREE MODE is flashing, press OK button to confirm your selection. It is in Free mode, with the screen showing the temperature (i.e. current ambient temperature), time (12:00), and function icons of “Comfortable, Economical, Frost-free” on the right.

To set the clock

1. Press TIME button once, then use the UP and DOWN button to select the hours.
2. Press the TIME button again, it will turn to the minute position, then you can use the UP and DOWN button to choose the minutes.
3. Press the TIME button to confirm the time setting.

To set the temperature

Press the Temperature button, the temperature digits flash, then you can set your comfortable room temperature with the Up and Down button. Press temperature button again to confirm your setting.

When the appliance is heating, you can press UP/DOWN button to stop the process. Press UP/DOWN button again to restart the process.

#### **2. Weekly mode set up**

Press the PROG button, and press the Up and Down buttons to select Weekly Mode. When the WEEKLY mode icon is flashing, press OK button to confirm your selection. Now it is in

Weekly mode, with the screen showing the week days, temperature (i.e. current ambient temperature), time (12:00), and function icons of “Comfortable, Economical, Frost-free” on the right.

#### **To set the clock**

1. Press TIME button once, then use the UP and DOWN button to select the week days.
2. Press the TIME button again and use the UP and DOWN button to set the hours.
3. Once the hour is set, press the TIME button the third time, it will turn to the minute position, then you can use the UP and DOWN button to choose the minutes.
4. Press the TIME button to confirm the time setting. Meanwhile the block in the center of the screen starts to flash to indicate the setting time. And it will jump a step for every 30 minutes.

The product has memory function. After you set up the time in the Weekly mode, the machine will run 24 hours x7days, i.e. it will automatically enter Tuesday after Monday's 24 hours, circling through Monday to Sunday on and on according to the preset program. And the time needs to be re-set once the power has been cut off.

#### **To set the temperature**

Press the Temperature button, the temperature digits flashes, then you can set your comfortable room temperature with the Up and Down button. Press temperature button again to confirm your setting, then the heater starts to work. And the small blocks in the centre of the screen start to flashes (In frost-free mode: only one block in inner circle flashes; in economical mode: only one block in outer circle flashes; in comfortable mode: two blocks both in inner and outer circle flash).

#### **HEATING THEORY**

The temperature range to set is between 15~50°C, and the machine's working temperature range is between -20~50°C, with the default working temperature at 35°C. When the ambient temperature is 2°C higher than the preset temperature, the product will stop heating (with the heating icon disappeared). When the ambient temperature reduced to be equal to the preset temperature, the product will automatically switch from Comfortable mode to Economical mode. When the ambient temperature is 5°C lower than the present temperature, the product will switch from the Economical mode back to the Comfortable mode.

#### **CLEANING THE HEATER**

Always un-plug the heater from the wall socket and allow it to cool down before cleaning. Clean the outside of the heater by wiping with a damp cloth and buff with a dry cloth. Do not use any detergents or abrasives and do not allow any water to penetrate the heater.

#### **STORING THE HEATER**

When the heater is not used for long time it should be protected from dust and stored in a clean dry place.

**TECHNICAL DATA:**

Operating voltage: 230V~ 50/60Hz

Power consumption: 2000W

**WARRANTY:**

The warranty is valid for 1 year for a "manufacturing fault".

To benefit from the warranty, please return the device to your dealer with POSTAGE PAID along with the document of purchase proof specifying the date of purchase.

**Discarding worn household devices**

The European directive 2002/96/EC pertaining to electrical and electronic waste prohibits such household goods from being discarded with local refuse services. Worn devices must be collected separately to optimize the recovery and recycling rates of the components therein to reduce detrimental effects on the environment and on human health.

The "crossed out rubbish bin" symbol is affixed to all products as a reminder to respect the waste regulations.