

# Mica Heater

PRO 1000

PRO 2000

## Instruction Manual



RoHS



WinEurope - FRANCE

Web: [www.purline.com](http://www.purline.com)

Thank you for using our products, please read this instruction manual carefully before operation.

### Connections to main supply

Make sure the supply voltage in your home is the same as the voltage marked on the rating plate of the appliance.

### General safety instructions

1. When the heater starts to work, it will give off a peculiar smell at a short time, and later the smell will disappear. This is the normal phenomenon.
2. This appliance is not intended for use by persons (including children) with reduced physical, sensory or mental capabilities, or lack of experience and knowledge, unless they have been given supervision or instruction concerning use of the appliance by a person responsible for their safety. The appliance is only suitable for household use. Never use the appliance outdoors.
3. Children should be supervised to ensure that they do not play with the appliance.
4. If the supply cord is damaged, it must be replaced by the manufacturer, its service agent or similarly qualified persons in order to avoid a hazard.
5. The appliance is only suitable for household use. Never use the appliance outdoors.
6. Never fixed in bathroom.
7. Certain parts of the appliance may become hot during use. Refrain from touching these areas so as not to burn yourself.
8. Make sure that the appliance and the power cable never come into contact with hot devices such as hotplate or naked flames.
9. Do not allow the power cable to hang down over the edge of the sink, worktop or table.
10. Make sure your hands are dry when you touch the appliance, the power cable or the plug.
11. Never submerge the appliance in water or another liquid.
12. The appliance needs to dissipate its heat in order to prevent fire. Therefore it is vital to make sure that the appliance has sufficient clearance on all sides and cannot come into contact with flammable materials. The appliance may not be covered up.
13. Do not use the appliance near explosives or flammable materials.
14. Do not use a metal scouring pad to clean the appliance. Fragments of metal could come loose and touch the appliance's electrical parts causing it to short circuit.

15. Always switch the appliance off if:
  - It malfunctions while you are using it.
  - Before you start maintenance.
  - You fit or remove accessories.
  - You unplug the appliance.
  - You have finished using the appliance.
16. Only use an extension cord that is in good condition.
17. Never switch the appliance off by pulling the cable.
18. Always engage a recognised, trained service engineer if the appliance or the cable is damaged, malfunctions have occurred and/or the appliance requires repairs.
19. Carrying out your own or having inexpert repairs carried out can cause considerable danger for the user.
20. We accept no liability for damage caused by incorrect usage or the ignoring of the regulations in this manual.
21. Use that does not comply with the manual is not covered by the responsibility and the warranty of the manufacturer.
22. The heater must not be located immediately below a socket-outlet. -Do not use this heater in the immediate surroundings (>0.6m) of a bath, a shower or a swimming pool. -If the supply cord is damaged, it must be replaced by the manufacturer, its service agent or similarly qualified persons in order to avoid a hazard.

#### PRO 2000

O	off
I	1000W
II	2000W

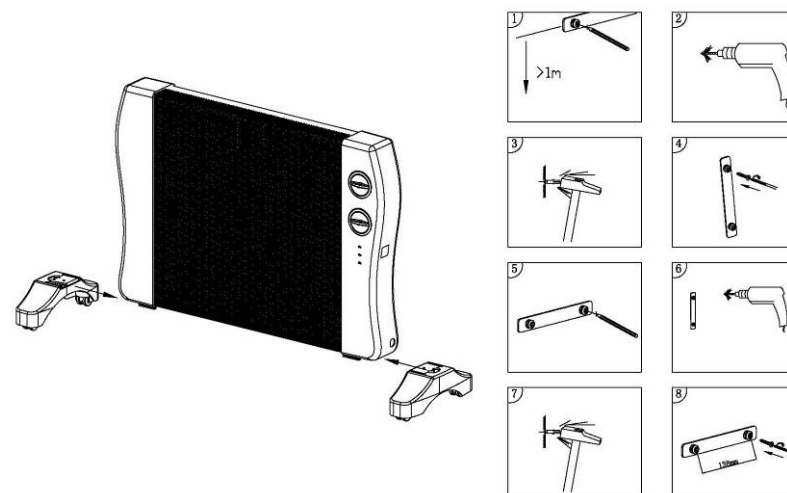
7. Be sure not to cover the ventilation grill!

#### Cleaning & Maintenance

Be sure to let the appliance cool down before cleaning it and unplug it from the wall socket.

Use a soft damp cloth to clean the outside of the Heater. Do not allow water to drip into the housing. Do not use benzene, thinners or harsh abrasive cleaning products, as these will damage the finish of the unit.

#### Setting Instruction



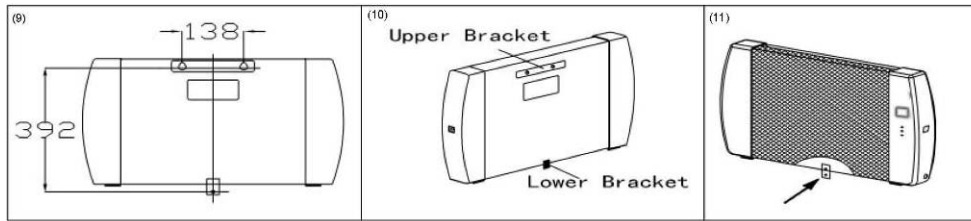
#### Usage

1. Attach the two plastic feet to the bottom of the appliance with the 4 delivered screws.
2. Be sure to place the convection heater on a flat surface.
3. Set the temperature control to LO.
4. Set the switch to OFF.
5. Connect the appliance to the wall socket.
6. Switch the convection heater on with the switch:

#### PRO 1000

O	off
I	1000W

Wall mounted:



- Do not attach the feet if the appliance is to be mounted on the wall.
- Pull the plastic bracket down and off from the handle, keep the height about 1m from the bracket to the ground.
- Then drill the two fastening holes, making sure they are horizontal and screw the wall bracket to the wall.
- Fit the heater on the wall bracket and press it down until the wall bracket audibly locks into place. The heater should now be mounted on the wall. And must be insure keep not less than 15cm distance around the appliance.



DO NOT COVER

Warning: In order to avoid overheating, do not cover the heater.

#### WARRANTY:

The warranty is valid for 1 year for a "manufacturing fault".

To benefit from the warranty, please return the device to your dealer with POSTAGE PAID along with the document of purchase proof specifying the date of purchase.

#### **Discarding worn household devices**

The European directive 2002/96/EC pertaining to electrical and electronic waste prohibits such household goods from being discarded with local refuse services. Worn devices must be collected separately to optimize the recovery and recycling rates of the components therein to reduce detrimental effects on the environment and on human health.

The "crossed out rubbish bin" symbol is affixed to all products as a reminder to respect the waste regulations.